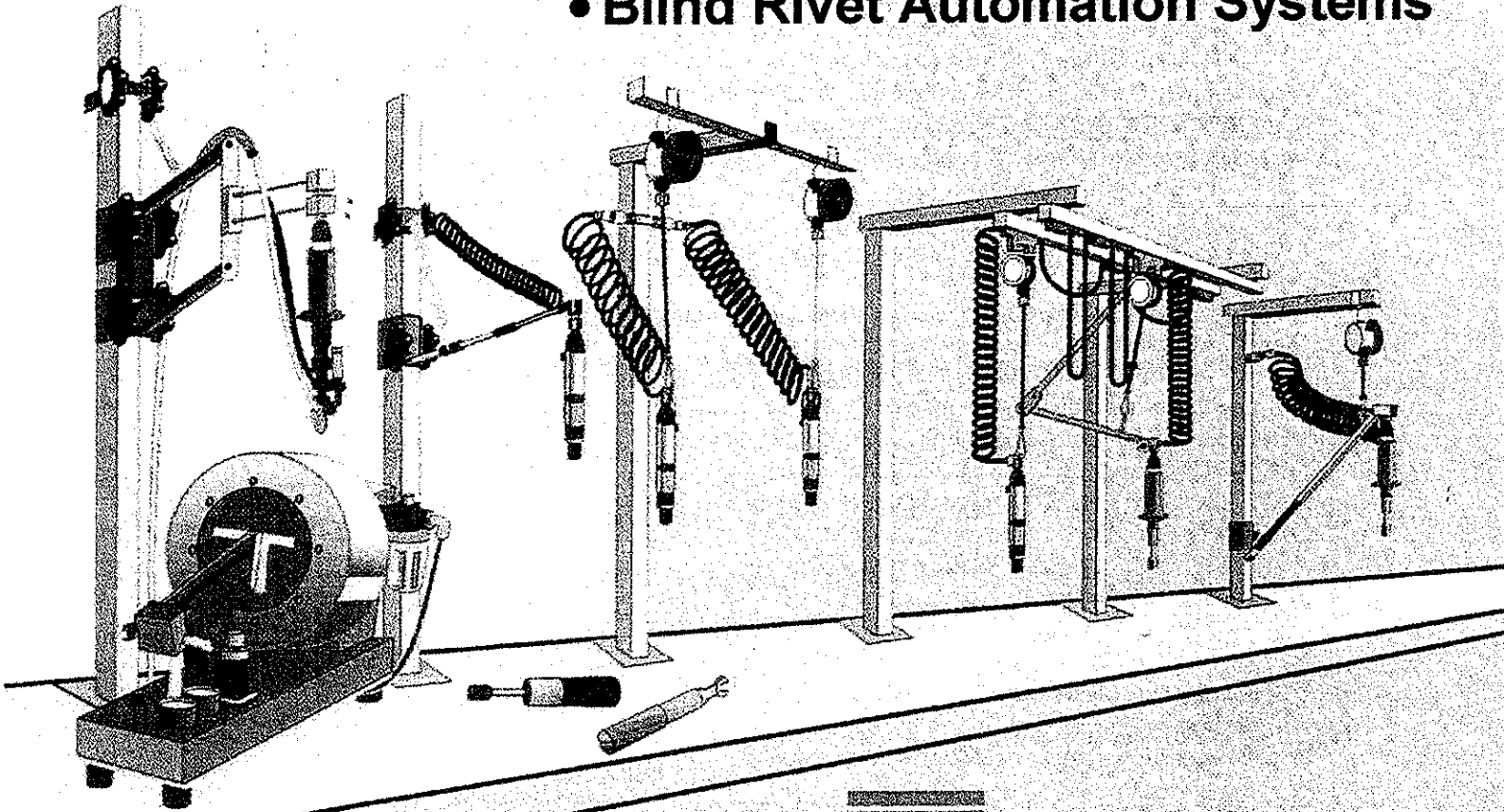


Price List

Effective Jan. 1, 2009

Prices subject to change without notice
All prices FOB Ft. Lauderdale, FL

- Automatic Screwfeeding Systems
- Screw & Nut Presenters
- Blind Rivet Automation Systems



- Tool Supports
- Torque Reaction Arms
- Retracting Tool Balancers
- Zero Gravity Tool Balancers
- Overhead Runway Tool Support Systems
- Torque Limiting Tools



nasco INDUSTRIES
INC.

3541 N.W. 53rd Street
Ft. Lauderdale, FL 33309

Phone: (954) 733-8665
Toll Free: (800) 962-7269
Fax: (954) 733-8669

MADE IN THE U.S.A.

For product descriptions and specifications see our website www.nascoindust.com

E-mail us at nasco@bellsouth.net

Nascomatic Automatic Screwfeeding Systems With Hand Held Driver*

WOODPECKER (10" diam. bowl)

- Pistol grip driver, trigger start, stall clutch.....\$4,995.00
- In-line driver, push-to-start or lever start, ratcheting clutch.....\$5,675.00

SCREWMASER (10" diam. bowl)

- In-line or pistol grip driver with linear lock, push-to-start, auto shut off adj. clutch
 - 30 in-lbs max. driver torque.....\$5,995.00
 - 55 in-lbs max. driver torque.....\$6,395.00
 - 150 in-lbs max. driver torque.....\$6,995.00

NASCOMATIC 2001 (10" diam. bowl)

- In-line or pistol grip driver with linear lock, push-to-start, auto shut off adj. clutch
 - 30 in-lbs max. driver torque.....\$6,995.00
 - 55 in-lbs max. driver torque.....\$7,435.00
 - 150 in-lbs max. driver torque.....\$7,995.00
- Air Hammer Driver for drive pin rivets.....\$7,995.00

NASCOMATIC 2001-6 (6" diam. bowl for small screws)

- In-line driver with linear lock, push-to-start, auto shut off adj. clutch
 - 0.5 to 8 in-lbs. driver torque.....\$6,895.00

NASCOMATIC 4002 (dual feed system)

- With two in-line or pistol grip drivers @ 30 in-lbs max. ea. driver torque.....\$11,995.00

**Final system configuration based upon evaluation of the customer requirements
See product specifications for standard features.*

Standard Options**

- In-line driver with pistol grip adapter.....\$275.00 Add'l
- Delta Driver for recesses and delicate surfaces.....\$675.00 Add'l
- 12" or 15" diam. bowl.....\$1,195.00 Add'l
- Auto-Extend Driver (AED) for fixture mounting.....\$1,295.00 Add'l
- Speedy Driver for fast feed rates.....\$295.00 Add'l
- Trap door bowl for screw loading and unloading.....\$595.00 Add'l
- Quick disconnect bowl.....\$195.00 Add'l
- Quick disconnect track.....\$195.00 Add'l
- Spare quick disconnect bowl.....\$595.00
- Spare quick disconnect track.....\$2,595.00

***Options may not apply to all screwfeeder models*

NASCOMATIC PRESENTERS

SCREW PRESENTERS

- Model 006.....\$1,495.00
 - Spare Track Assemblies.....\$595.00
- Model 0010.....\$1,995.00
 - Spare Track Assemblies.....\$695.00
- Model 0012.....\$3,595.00
 - Spare Track Assemblies.....\$1,595.00
- Model 0010-MD.....\$2,595.00
 - Spare Track Assemblies.....\$995.00

NUT PRESENTERS

- Model NP-0010.....\$2,995.00
 - Spare Track Assemblies.....\$1,295.00

BLIND RIVET AUTOMATION SYSTEM

- Pistol Grip or In-Line Rivet Gun\$6,985.00

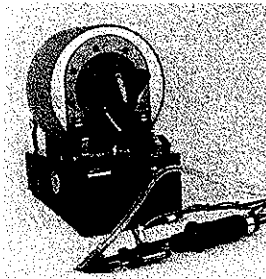
OPTIONS QUOTED BY APPLICATION**

- **Sensors** - for detecting and monitoring screwfeeder performance
 - **Auto Extend Drivers** - for fixture mounted and robotic applications
 - **Multi Port Manifold** - Combines the outputs of a quantity of feeders with different fastener sizes into a single bowlfeed line
 - **Dual Drop Track** - Feeds screws from one bowl feeder to two different drivers
 - **PLC Control** - Provides sensor management, sequential programming for automated systems and system communication
 - **T-Handle Floor Driver** - for truck flooring and other floor level screw driving requirements
 - **Clean Room Feeders** - Automatic screwfeeding systems with electric drivers for class 100 clean rooms
 - **Auto Bowl Shut-Off** - stops bowl rotation and track vibrator after a predetermined time when screwdriver is not in use
 - **Workstation Development & Integration** - Linear thrusters, machine stands, special fixturing, tool supports, and torque reaction arms
 - **Rotating Clutch Housing** - allows rotation of the driver nosepiece to clear obstructions
 - **Autofeed Air Press** - A feeding and driving system for pins and drive screws requiring up to 1.5 tons insertion force
-

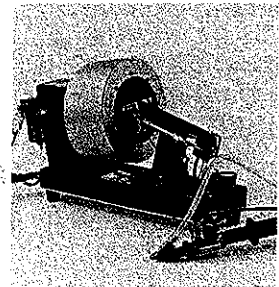
Standard & Custom Fastener Automation Systems



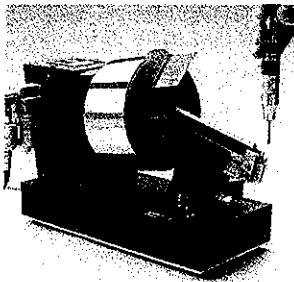
WOODPECKER



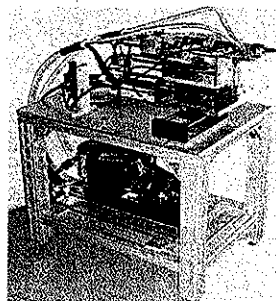
SCREWMASER



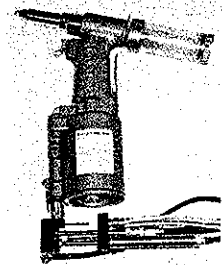
NASCOMATIC 2001



**SCREW & NUT
PRESENTERS**



**COMPLETE ASSEMBLY
WORKSTATIONS**



**BLIND RIVET
AUTOMATION**

BENCH & FLOOR MOUNTED TOOL SUPPORTS

Standard Duty Tool Supports - Swivel Boom

37" High (B1-series)

B1-S-18	\$95.50
B1-S-24	\$99.50
B1-S-30	\$105.50
B1A-S-18	\$186.50
B1A-S-24	\$190.50
B1A-S-30	\$196.50
B1E-S-18	\$98.50
B1E-S-24	\$102.50
B1E-S-30	\$108.50
B1A-S-FRL-18 ...	\$300.00
B1A-S-FRL-24 ...	\$304.00
B1A-S-FRL-30 ...	\$310.00

43" High (B2-series)

B2-S-18	\$111.00
B2-S-24	\$115.00
B2-S-30	\$121.00
B2A-S-18	\$202.00
B2A-S-24	\$206.00
B2A-S-30	\$212.00
B2E-S-18	\$114.00
B2E-S-24	\$118.00
B2E-S-30	\$124.00
B2A-S-FRL-18 ...	\$315.50
B2A-S-FRL-24 ...	\$319.50
B2A-S-FRL-30 ...	\$325.00

Stationary Boom
 - Remove the -S- from the part number (Ex: B1-18)
 - Add \$10.00 to price

Supports with T-Boom Stationary boom only

B1-T	\$139.00
B2-T	\$154.00
B1A-T	\$317.00
B2A-T	\$332.50
B1E-T	\$145.00
B2E-T	\$160.00
B1A-T-FRL	\$437.00
B2A-T-FRL	\$452.50

All B1 & B2 Tool Supports
 - Polished chrome finish
 - Sliding tool positioner provided
 - Internal ball bearing trolley optional - Add suffix -I to part number, Add \$18.50 to price.
 - Add \$30.00 for any non-standard support height or boom length
 - Order desired tool balancer separately

Heavy Duty Tool Supports - Swivel Boom

Wall Mounted

WH-S-24	\$195.50
WH-S-36	\$208.00

Bench Mounted

BH-S-24	\$195.50
BH-S-36	\$208.00
BH-AS-24	\$249.00
BH-AS-36	\$261.50
BH-AS-24-FRL	
1/4" Air Lines ...	\$364.00
3/8" Air Lines ...	\$409.00
BH-AS-36-FRL	
1/4" Air Lines ...	\$376.50
3/8" Air Lines ...	\$421.50

Floor Mounted

FH-S-24	\$283.50
FH-S-36	\$296.00
FH-AS-24	\$344.00
FH-AS-36	\$356.50
FH-AS-24-FRL	
1/4" Air Lines ...	\$459.00
3/8" Air Lines ...	\$504.00
FH-AS-36-FRL	
1/4" Air Lines ...	\$471.50
3/8" Air Lines ...	\$516.50

All Heavy Duty Tool Supports
 - Internal trolley on all booms
 - Finish: Safety white high gloss enamel
 - Add \$50.00 for any non-standard support height or boom length
 - Floor stand in two parts, ships via UPS
 - Order desired tool balancer separately

Interchangeable Swivel Booms

For B1 & B2 Series

SB18	\$49.50
SB24	\$53.50
SB30	\$59.50

For BH & FH Series

SBH24	\$112.50
SBH36	\$125.00

Balancers

Retracting Balancers

TB1013	\$44.00
TB1014	\$66.00
TB1018	\$44.00

Tool Positioning / Zero Gravity Balancers

TBF-0103	\$81.00
TBF-0305	\$110.00
TBF-0509	\$199.00
TBF-0915	\$239.00
TBF-1522	\$360.00
TBF-2230	\$405.00
TBF-3040	\$499.00
TBF-4050	\$515.00
TBF-5060	\$551.00
TBF-6070	\$577.00

Mounting Frames with Moveable Tool Supports

CMF-48	\$130.00
CMF-60	\$138.00
CMF-72	\$146.00
MB-SK3-48	\$225.00
MB-SK3-60	\$240.00
MB-SK3-72	\$255.00
CSM-SK-3	\$474.00
C1-S-18	\$155.50
C1-S-24	\$159.50
C1-S-30	\$165.50
C1E-S-18	\$158.50
C1E-S-24	\$162.50
C1E-S-30	\$168.50
C1A-S-18	\$246.50
C1A-S-24	\$250.50
C1A-S-30	\$256.50
C1A-S-FRL-18 ...	\$360.00
C1A-S-FRL-24 ...	\$364.00
C1A-S-FRL-30 ...	\$370.00

Floor & Wall Mounted Swinging Jib 50 lbs. Capacity

Wall Mounted

W50-S-72	\$412.00
W50-S-48	\$402.00

Floor Mounted

F50-S-72	\$775.00
F50-S-48	\$765.00

- Stops to limit jib swing
 Add suffix -ST \$35.00

Accessories

Filter, Regulator, Lubricator & Gauge
 FRL-1/4 \$98.00 || FRL-3/8 | \$144.00 |
| FRL assemblies include air fittings and mounting bracket | |
| AG (air gauge) | \$17.00 |

Hoses

Coil Hoses
 CH1012 (1/4")* \$21.00 || CH1025 (1/4")** | \$23.00 |
CH2012 (3/8")**	\$27.00
CH2025 (3/8")**	\$39.00
*Polyurethane	
**Nylon	

Limp Hoses
 LH3006 (1/4"x6") .. \$24.00 || LH3008 (1/4"x8") .. | \$27.00 |

Height Extenders

For B1 & B2 Series
 HE-1-12 (12" ht) ... \$35.50 || HE-1-18 (18" ht) ... | \$40.00 |

For BH & FH Series
 HE-15-12 (12" ht) .. \$50.50 || HE-15-18 (18" ht) .. | \$61.00 |

Bench Clamps

BC1061	\$40.00
BC1062	\$43.50
BC1063	\$58.00
BC1064	\$58.00

FOR PRODUCT DESCRIPTIONS AND SPECIFICATIONS SEE OUR WEBSITE
www.nascoindust.com

SIDEKICK™ TORQUE REACTION ARMS

Articulating Arms That Hold Tools Vertical

**Verti-Trak 12 ft-lbs Max.
Spring Balance**
 VTSK-30-S \$425.00
 VTSK-30E-S \$425.00
 VTSK-36-S \$448.00
 VTSK-36E-S \$448.00

**Verti-Trak 12 ft-lbs Max.
Air Balance**
 VTSK-30-FL-S ... \$534.50
 VTSK-30E-FL-S \$534.50
 VTSK-36-FL-S ... \$557.50
 VTSK-36E-FL-S \$557.50

**Verti-Trak 40 ft-lbs Max.
Spring Balance**
 VTSK-30-3 \$501.00
 VTSK-30E \$501.00
 VTSK-36-3 \$524.00
 VTSK-36E \$524.00
 VTSK-30-8 \$593.00
 VTSK-36-8 \$616.00
 VTSK-30-13 \$613.00
 VTSK-36-13 \$636.00

**Verti-Trak 40 ft-lbs Max.
Air Balance**
 VTSK-30-FL \$625.00
 VTSK-30E-FL ... \$625.00
 VTSK-36-FL \$648.00
 VTSK 36E-FL \$648.00

**Verti-Trak 100 ft-lbs Max.
Air Balance**
 VTSK-30-FL-HD ... \$1,385
 VTSK-36-FL-HD ... \$1,450

**Verti-Trak 250 ft-lbs Max.
Air Balance**
 VTSK-36-FL-250 For
 In-Line Tools \$2,428
 VTSK-36-FL-250-CL For
 Rt. Angle Tools .. \$2,932

**Verti-Trak 300 ft-lbs Max
Air Balance, 6' Reach**
 VTSK-72-FL-300
 In-Line Tools \$2,950
 Rt. Angle Tools ... \$3,450
 FS-VTSK-72
 Floor Stand \$498.00

**Down Force Assist
All Verti-Traks**
 Add Suffix -DF, Add \$500

Radial Arms That Hold Tools Vertical

50 Nm Max.
 BM-TT50-FL \$650.00
 BM-TT50E-FL \$683.00
 BM-TT50-FL-RAM
 Rt. Angle Tools \$860.00

100 Nm Max.
 BM-TT100-FL \$1,175
 BM-TT100E-FL \$1,175
 BM-TT100-FL-RAM
 Rt. Angle Tools ... \$1,395

**Accessories Allow Tools
To Swivel & Tilt
For BM-TT50**
 SA-TT50 Swivel
 Adapter \$85.00
 SK-RAM Rt. Angle
 Tool Mount \$158.00
 SK-ATM 4-port
 Manifold \$52.50
 SK-ETM Electric
 Tool Clamp \$55.50

**Accessories Allow Tools
To Swivel & Tilt
For BM-TT100**
 SA-TT100 Swivel
 Adapter \$85.00
 SK-RAM-TT Rt. Angle
 Tool Mount \$170.00
 SK-ATM 4-port
 Manifold \$52.50
 SK-ETM-1 Electric
 Tool Clamp \$72.50

**Accessories for
40 ft-lbs VTSK-Series &
2-Stage & 3-Stage Arms**
 SK-ATM
 4-port Manifold includes
 plugs & nipples ... \$52.50
 SK-ETM Electric
 Tool Clamp \$55.50
 SK-RAM Rt. Angle
 Tool Mount for 2-stage &
 3-stage arms \$158.00
 SK-RAM-VT Rt. Angle
 Tool Mount for VTSK-
 series \$209.00
 QRP-1 Quick
 Release Pin \$3.75

Sidekicks For Overhead Rails

Articulating Arm 40 ft-lbs
 OTS-SK includes
 trolley, arm, coil hose &
 balancer \$299.00

**Overhead Runway
Sidekick Systems (includes
mounting frame & OTS-SK)**

OTS-B-SK-24-4 \$773
 OTS-B-SK-24-5 \$780
 OTS-B-SK-24-6 \$787
 OTS-B-SK-24-8 \$1,005
 OTS-B-SK-24-10 .. \$1,119
 OTS-B-SK-24-12 .. \$1,133
 OTS-B-SK-36-4 \$797
 OTS-B-SK-36-5 \$804
 OTS-B-SK-36-6 \$811
 OTS-B-SK-36-8 \$1,032
 OTS-B-SK-36-10 .. \$1,046
 OTS-B-SK-36-12 .. \$1,060
 OTS-F-SK-24-4 \$943
 OTS-F-SK-24-5 \$950
 OTS-F-SK-24-6 \$957
 OTS-F-SK-24-8 \$1,245
 OTS-F-SK-24-10 .. \$1,259
 OTS-F-SK-24-12 .. \$1,273
 OTS-F-SK-36-4 \$967
 OTS-F-SK-36-5 \$974
 OTS-F-SK-36-6 \$981
 OTS-F-SK-36-8 \$1,272
 OTS-F-SK-36-10 .. \$1,286
 OTS-F-SK-36-12 .. \$1,300

Telescoping Sidekicks
 OTS-SK3-15-P ... \$442.00
 OTS-SK3-15-P-H \$517.00
 OTS-SK3-50-P ... \$875.00
 OTS-SK3-50-P-H \$950.00
 OTS-SK3-50-R ... \$875.00
 OTS-SK3-50-R-H \$950.00

Torque Tube 50 ft-lbs
 OTS-C-TT68-FL \$875.00
 OTS-M-TT68-FL \$875.00
 OTS-C-TT68-B \$675.00
 OTS-M-TT68-B \$675.00
 -H option add \$75.00

Torque Tube 100 ft-lbs
 OTS-C-TT135-FL \$1,175.00
 OTS-M-TT135-FL \$1,175.00
 OTS-C-TT135-B \$975.00
 OTS-C-TT135-B \$975.00
 -H OPTION add \$75.00

Bench Mounted Sidekicks For Full Tool Rotation

**3-Stage Telescoping
Arm 15' ft-lbs**
 BM-SK3.....\$414.00
 BM-SK3-FRL \$529.00
 BM-SK3-E \$414.00

BM-SK3-18E \$485.00
 BM-SK3-24E \$489.00

BM-SK3-P18 \$464.00
 BM-SK3-P24 \$468.00
 BM-SK3-P30 \$474.00

SM-SK3 \$414.00
 SM-SK3-E \$414.00

**Multiple Driver Assembly
Frames for SM-SK3**
 MB-SK3-48 \$225.00
 MB-SK3-60 \$240.00
 MB-SK3-60 \$255.00
 MB-SK3-C
 mounting clamp ..\$62.00

**2-Stage Telescoping
Arm 15 ft-lbs**
 For B1 & B2 Tool Supports
 SK-18 \$143.50
 SK-24 \$148.50
 SK-30 \$153.00

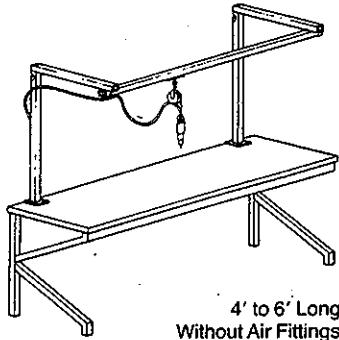
For BH Tool Supports
 HSK-24 \$197.00
 HSK-36 \$207.00

Arm & Tool Support
 B1SK-2-18 \$279.00
 B1SK-2-24 \$289.00
 B1SK-2-30 \$301.00
 B1SK-2-18-E \$279.00
 B1SK-2-24-E \$289.00
 B1SK-2-30-E \$301.00

Articulating Arm
 BM-SKT-30 \$485.00
 BM-SKT-30E \$485.00
 BM-SKT-36 \$508.00
 BM-SKT-36E \$508.00
 BM-SKFL-30 \$608.00
 BM-SKFL-30E \$608.00
 BM-SKFL-36 \$630.00
 BM-SKFL-36E \$630.00

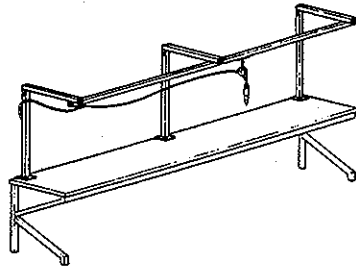
OVERHEAD RUNWAY TOOL SUPPORT SYSTEMS

**A – BENCH MOUNT
SINGLE RUNWAY**



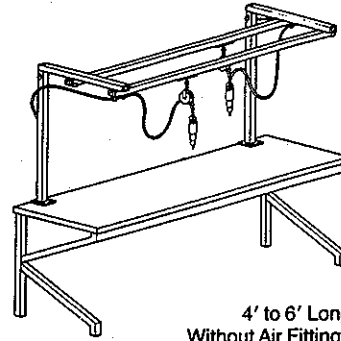
4' to 6' Long
Without Air Fittings

**B – BENCH MOUNT
SINGLE RUNWAY**



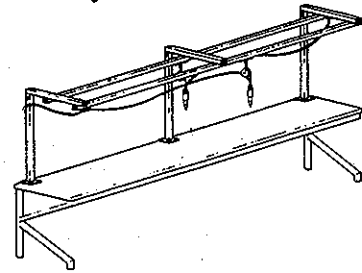
8' to 12' Long
Without Air Fittings

**C – BENCH MOUNT
DOUBLE RUNWAY**



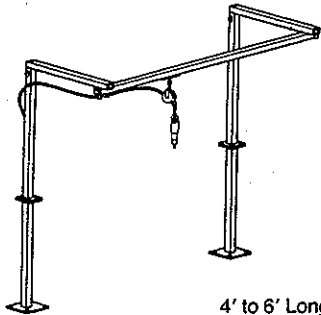
4' to 6' Long
Without Air Fittings

**D – BENCH MOUNT
DOUBLE RUNWAY**



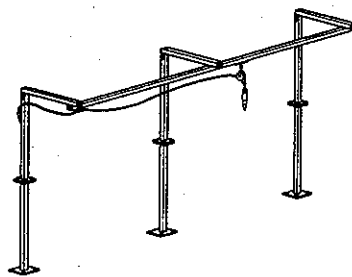
8' to 12' Long
Without Air Fittings

**E – FLOOR MOUNT
SINGLE RUNWAY**



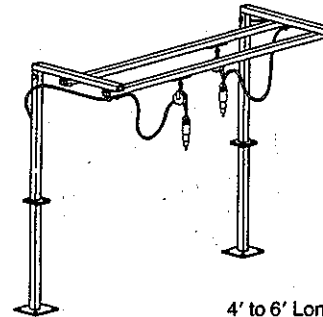
4' to 6' Long
Without Air Fittings

**F – FLOOR MOUNT
SINGLE RUNWAY**



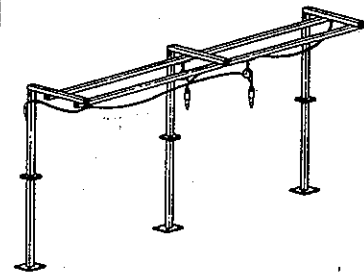
8' to 12' Long
Without Air Fittings

**G – FLOOR MOUNT
DOUBLE RUNWAY**



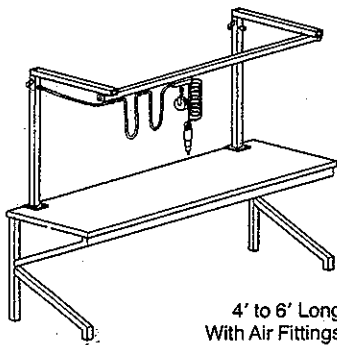
4' to 6' Long
Without Air Fittings

**H – FLOOR MOUNT
DOUBLE RUNWAY**



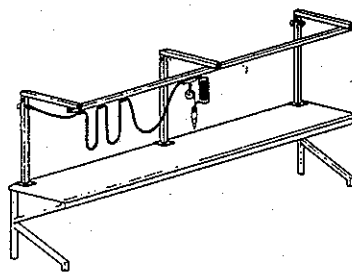
8' to 12' Long
Without Air Fittings

**I – BENCH MOUNT
SINGLE RUNWAY**



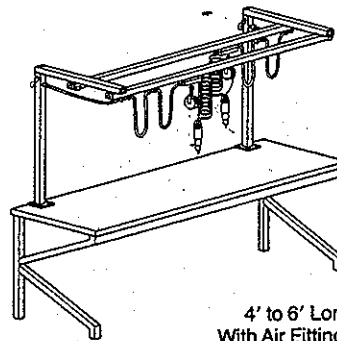
4' to 6' Long
With Air Fittings

**J – BENCH MOUNT
SINGLE RUNWAY**



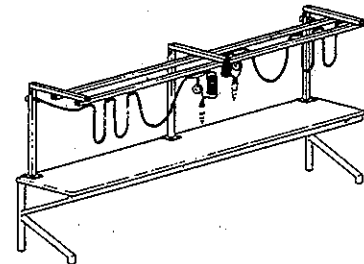
8' to 12' Long
With Air Fittings

**K – BENCH MOUNT
DOUBLE RUNWAY**



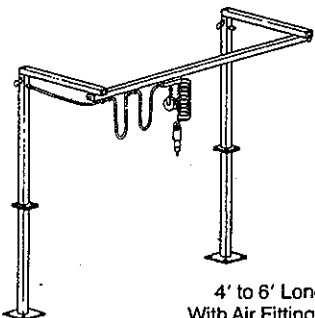
4' to 6' Long
With Air Fittings

**L – BENCH MOUNT
DOUBLE RUNWAY**



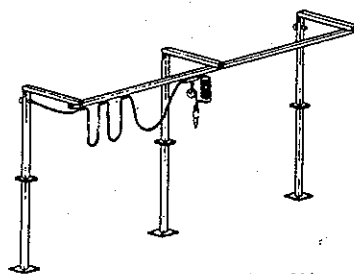
8' to 12' Long
With Air Fittings

**M – FLOOR MOUNT
SINGLE RUNWAY**



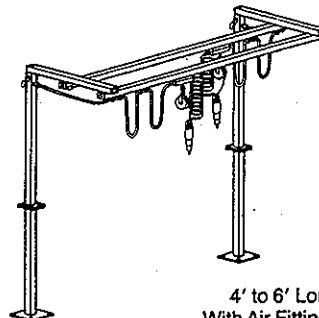
4' to 6' Long
With Air Fittings

**N – FLOOR MOUNT
SINGLE RUNWAY**



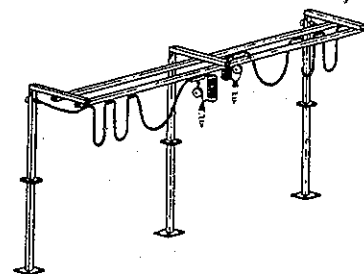
8' to 12' Long
With Air Fittings

**O – FLOOR MOUNT
DOUBLE RUNWAY**



4' to 6' Long
With Air Fittings

**P – FLOOR MOUNT
DOUBLE RUNWAY**



8' to 12' Long
With Air Fittings

Workbenches, balancers & tools not included.

16 STANDARD SYSTEM CONFIGURATIONS

FIG. A OTS-B-N-1-24-4 \$475 OTS-B-N-1-24-5 \$482 OTS-B-N-1-24-6 \$489 OTS-B-N-1-36-4 \$499 OTS-B-N-1-36-5 \$506 OTS-B-N-1-36-6 \$513	FIG. B OTS-B-N-1-24-8 \$699 OTS-B-N-1-24-10 \$713 OTS-B-N-1-24-12 \$727 OTS-B-N-1-36-8 \$725 OTS-B-N-1-36-10 \$739 OTS-B-N-1-36-12 \$753	FIG. C OTS-B-N-2-24-4 \$610 OTS-B-N-2-24-5 \$624 OTS-B-N-2-24-6 \$638 OTS-B-N-2-36-4 \$635 OTS-B-N-2-36-5 \$649 OTS-B-N-2-36-6 \$663	FIG. D OTS-B-N-2-24-8 \$834 OTS-B-N-2-24-10 \$862 OTS-B-N-2-24-12 \$890 OTS-B-N-2-36-8 \$872 OTS-B-N-2-36-10 \$900 OTS-B-N-2-36-12 \$928
FIG. E OTS-F-N-1-24-4 \$645 OTS-F-N-1-24-5 \$652 OTS-F-N-1-24-6 \$659 OTS-F-N-1-36-4 \$669 OTS-F-N-1-36-5 \$676 OTS-F-N-1-36-6 \$683	FIG. F OTS-F-N-1-24-8 \$954 OTS-F-N-1-24-10 \$968 OTS-F-N-1-24-12 \$982 OTS-F-N-1-36-8 \$980 OTS-F-N-1-36-10 \$994 OTS-F-N-1-36-12 \$1008	FIG. G OTS-F-N-2-24-4 \$780 OTS-F-N-2-24-5 \$795 OTS-F-N-2-24-6 \$808 OTS-F-N-2-36-4 \$805 OTS-F-N-2-36-5 \$819 OTS-F-N-2-36-6 \$833	FIG. H OTS-F-N-2-24-8 \$1089 OTS-F-N-2-24-10 \$1117 OTS-F-N-2-24-12 \$1145 OTS-F-N-2-36-8 \$1127 OTS-F-N-2-36-10 \$1155 OTS-F-N-2-36-12 \$1183
FIG. I OTS-B-A-1-24-4 \$656 OTS-B-A-1-24-5 \$664 OTS-B-A-1-24-6 \$672 OTS-B-A-1-36-4 \$682 OTS-B-A-1-36-5 \$690 OTS-B-A-1-36-6 \$698	FIG. J OTS-B-A-1-24-8 \$940 OTS-B-A-1-24-10 \$957 OTS-B-A-1-24-12 \$974 OTS-B-A-1-36-8 \$977 OTS-B-A-1-36-10 \$994 OTS-B-A-1-36-12 \$1011	FIG. K OTS-B-A-2-24-4 \$861 OTS-B-A-2-24-5 \$878 OTS-B-A-2-24-6 \$895 OTS-B-A-2-36-4 \$889 OTS-B-A-2-36-5 \$906 OTS-B-A-2-36-6 \$923	FIG. L OTS-B-A-2-24-8 \$1208 OTS-B-A-2-24-10 \$1242 OTS-B-A-2-24-12 \$1276 OTS-B-A-2-36-8 \$1245 OTS-B-A-2-36-10 \$1279 OTS-B-A-2-36-12 \$1313
FIG. M OTS-F-A-1-24-4 \$826 OTS-F-A-1-24-5 \$834 OTS-F-A-1-24-6 \$842 OTS-F-A-1-36-4 \$852 OTS-F-A-1-36-5 \$860 OTS-F-A-1-36-6 \$868	FIG. N OTS-F-A-1-24-8 \$1195 OTS-F-A-1-24-10 \$1212 OTS-F-A-1-24-12 \$1229 OTS-F-A-1-36-8 \$1232 OTS-F-A-1-36-10 \$1249 OTS-F-A-1-36-12 \$1266	FIG. O OTS-F-A-2-24-4 \$1031 OTS-F-A-2-24-5 \$1048 OTS-F-A-2-24-6 \$1065 OTS-F-A-2-36-4 \$1059 OTS-F-A-2-36-5 \$1076 OTS-F-A-2-36-6 \$1093	FIG. P OTS-F-A-2-24-8 \$1463 OTS-F-A-2-24-10 \$1497 OTS-F-A-2-24-12 \$1531 OTS-F-A-2-36-8 \$1500 OTS-F-A-2-36-10 \$1534 OTS-F-A-2-36-12 \$1568

FRL units – Add \$115 for each unit per system (1/4" fittings)
 Add \$160 for each unit per system (3/8" fittings)
 2 FRL units max., per system

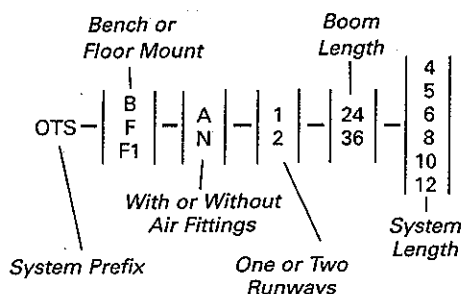
1/4" fittings are standard on -A- models. 3/8" fittings add suffix -H to part number, add \$50 to system price.

F1 (96" height) – Add \$125 to system price

WALL MOUNT SYSTEMS

- Specify system part number as OTS-W-X-X-XX-X (X = same as bench mount)
- Price is same as bench mount

PART NUMBERING SYSTEM



ACCESSORIES

Spare Runway Assemblies OT-R-4 \$87.00 OT-R-5 \$94.00 OT-R-6 \$101.00 OT-R-8 \$143.00 OT-R-10 \$157.00 OT-R-12 \$171.00	4-Wheel Trolleys OTN-4T \$49.00 OTA-4T \$73.00
Runway Stops OT-RS \$4.25	Festooning Trolley OTA-2T \$27.00
Coil Hoses CH1012 \$21.00 CH1025 \$24.00 CH2012 \$28.00 CH2025 \$39.00	Limp Hoses 1/4" – Part #LH100XX XX=Length in feet \$15.00 + \$1.50/ft 3/8" – Part #LH11XX XX=Length in feet \$23.00 + \$2.50/ft
Bench Clamps BC1062 \$43.50 BC1063 \$58.00	E-Z Glide 6-wheel trolleys OTN-6T-with eyebolt \$80.00 OTA-6T- with air manifold & air fittings \$105.00

Torque Limiting Wrenches & Screwdrivers

PRESET TORQUE LIMITING SCREWDRIVERS

NTS-15P.....\$122.00	NTS-36C.....\$148.00
NTS-15C.....\$122.00	NTS-36S.....\$148.00
NTS-25C.....\$137.00	NTS-50.....\$167.00
NTS-25S.....\$137.00	NTS-120.....\$179.00

PRESET TORQUE LIMITING WRENCHES

<u>Slip Type/ Cam Over With Fixed Heads</u>	<u>Slip Type/ Cam Over With Interchangeable Heads</u>	<u>Click Type With Interchangeable Heads</u>
NTL-12.....\$92.00	NTQ-12.....\$118.00	NTC-100.....\$91.00
NTL-100.....\$99.00	NTQ-100.....\$127.00	NTC-200.....\$97.00

FIXED HEADS FOR NTL SERIES

Open End Heads

TOE 1/8.....	\$39.00
TOE 5/32.....	\$39.00
TOE 3/16.....	\$38.00
TOE 7/32.....	\$38.00
TOE 1/4.....	\$35.00
TOE 9/32.....	\$35.00
TOE 5/16.....	\$35.00
TOE 11/32.....	\$35.00
TOE 3/8.....	\$35.00
TOE 7/16.....	\$38.00
TOE 1/2.....	\$38.00

Box Heads

TBH 3/16.....	\$49.00
TBH 7/32.....	\$49.00
TBH 1/4.....	\$45.00
TBH 9/32.....	\$45.00
TBH 5/16.....	\$45.00
TBH 11/32.....	\$45.00
TBH 3/8.....	\$45.00
TBH 7/16.....	\$49.00
TBH 1/2.....	\$49.00

Flair Nut Heads

TFH 1/4.....	\$59.00
TFH 5/16.....	\$59.00
TFH 3/8.....	\$57.00
TFH 7/16.....	\$57.00
TFH 1/2.....	\$59.00

Ratchet Heads

TRH 1/4.....	\$62.75
TRH 3/8.....	\$71.75

Plain Square Drive Heads

TSD 1/4.....	\$31.25
TSD 3/8.....	\$31.25

Insert Bit Adapter

TS 825.....	\$42.50
-------------	---------

Speed Heads

Add suffix -S to any open end head	
TOE X/X-S.....	\$57.50

Blank Cam

20400.....	\$14.00
------------	---------

INTERCHANGEABLE HEADS FOR NTC & NTQ SERIES

Open End Heads

QTOE 1/8.....	\$44.00
QTOE 5/32.....	\$44.00
QTOE 3/16.....	\$41.00
QTOE 7/32.....	\$41.00
QTOE 1/4.....	\$39.00
QTOE 9/32.....	\$39.00
QTOE 5/16.....	\$39.00
QTOE 11/32.....	\$39.00
QTOE 3/8.....	\$39.00
QTOE 7/16.....	\$42.00
QTOE 1/2.....	\$42.00

Box Heads

QTBH 3/16.....	\$53.00
QTBH 7/32.....	\$53.00
QTBH 1/4.....	\$49.00
QTBH 9/32.....	\$49.00
QTBH 5/16.....	\$49.00
QTBH 11/32.....	\$49.00
QTBH 3/8.....	\$49.00
QTBH 7/16.....	\$53.00
QTBH 1/2.....	\$53.00

Flair Nut Heads

QTFH 1/4.....	\$66.00
QTFH 5/16.....	\$66.00
QTFH 3/8.....	\$64.00
QTFH 7/16.....	\$64.00
QTFH 1/2.....	\$66.00

Ratchet Heads

QTRH 1/4.....	\$70.00
QTRH 3/8.....	\$80.00

Plain Square Drive Heads

QTSD 1/4.....	\$35.00
QTSD 3/8.....	\$35.00

Insert Bit Adapter

QTS 825.....	\$47.00
--------------	---------

Speed Heads

Add suffix -S to any open end head	
QTOE X/X-S.....	\$65.00

Blank Cam

20401.....	\$14.00
------------	---------

Other interchangeable heads available for wrenches produced by other manufacturers such as Utica, Sturtevant-Richmont, CDI and Mountz. Contact Nasco for price and availability.